



**Quality Solutions for Air Cargo Handling**

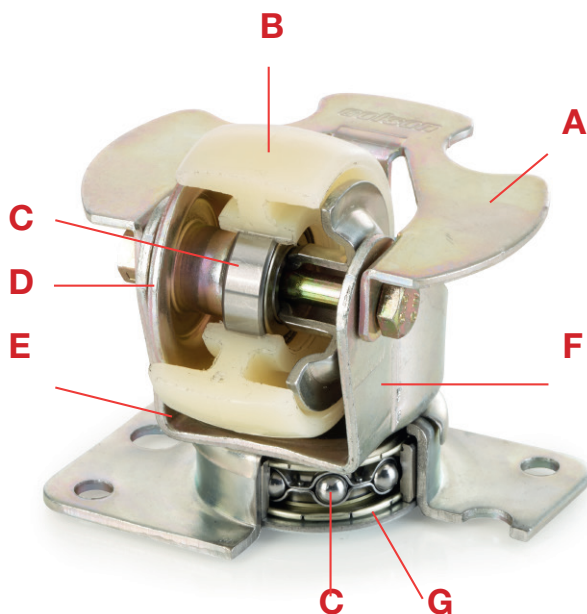
# Colson Europe Cargo Castors



**Cargo Castors** are essential components used in ULD handling environments at airports worldwide. You can find our silent and maintenance free products in logistic cargo centers. But also on Ground Support Equipment (GSE) like dollies and loaders on the ramp our products are used intensively. Even in perishable-cool storage facilities our product feel at home.

The current Colson Europe BV Cargo Castor is a result of continuous development and improvements. We emphasized our products for the extreme conditions found in ULD handling. This results in a product which endures the shock, load and temperature fluctuations at airports worldwide more than any other product.

## Composition of a Standard Cargo Castor



- A toe-guard
- B special engineered low wear impact-resistant polyamide 6.6 wheel
- C maintenance free sealed ball bearing
- D integrated steel thread guard protects and prevents blocking of the wheel
- E plastic sealing cap drains water and prevents corrosion
- F robust deep drawn pressed steel fork with special anti-corrosion zinc coating
- G labyrinth-seal protects the swivel head for dust and water

The Colson Europe Cargo Castors are:

- extreme wear and shock resistant
- enabling real easy handling over a long period of use
- absolute maintenance free for its full lifetime
- RoHS-free
- guaranteed worldwide use all over the years by its premium quality

# Standard Cargo Castors



Standard Cargo Castors are used mainly on dollies and loaders.



# Cargo Castors with toe-guard



A toe-guard prevents operators to step into the holes present in the top deck area while walking over them, pushing the ULD's. The applicable Health & Safety regulations usually enforce the use of these preventive devices.

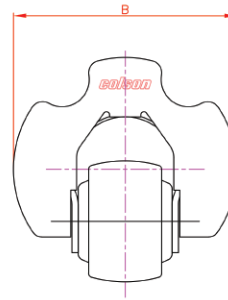
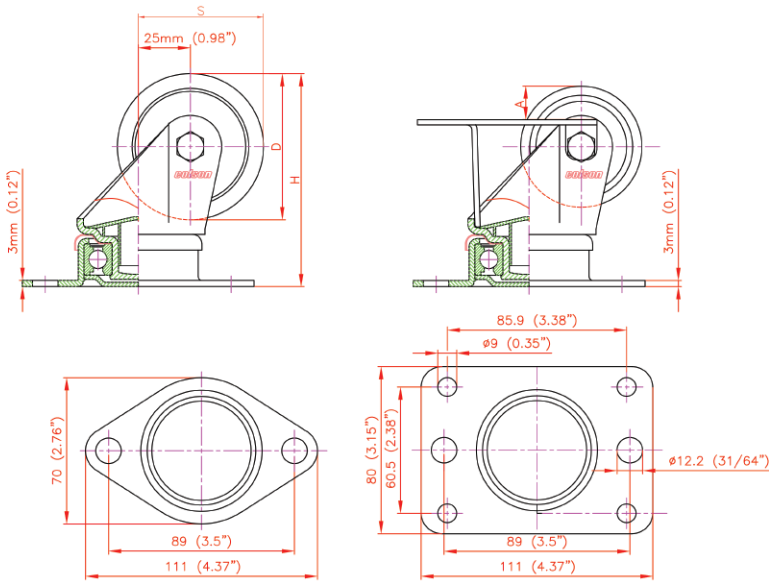


Standard cargo castors with attached toe-guard are generally used on decks and occasionally on dollies and loaders as well.



Standard cargo castors with integrated toe-guard are generally used on decks.






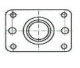
# Cargo Castors



Castor load capacity: 250kg  
 Standard temperature range: -30°C to +80°C.  
 We advise to mount our products onto a flat and sturdy mounting surface to ensure a rigide support for the complete topplate area of our castors.

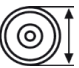




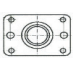
## Standard Cargo Castors



						
	D	mm	H	S	diamond rectangular	
	mm	mm	mm	mm		
JBPN 058-CC1/A	58	35	96	54	x	
JBPN 058CC1/A-R	58	35	96	54		x
JBPN 070-CC1/A	70	35	102	60	x	
JBPN 070-CC1/A-R	70	35	102	60		x

## Standard Cargo Castors



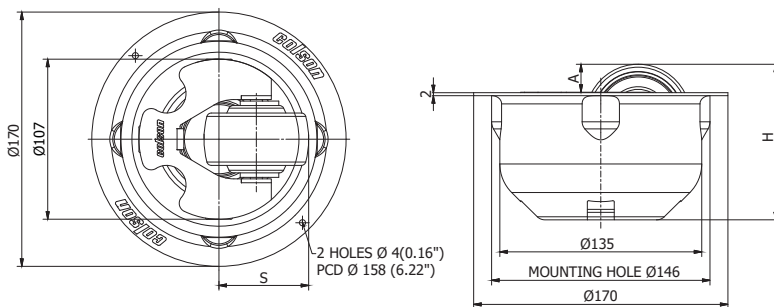
WITH ATTACHED TOE-GUARD							A	B
	D	mm	H	S	diamond rectangular		mm	mm
	mm	mm	mm	mm			mm	mm
JBPN 058CC1/AT12,7	58	35	96	54	x		12,7	107
JBPN 058CC1/A-RT12,7	58	35	96	54		x	12,7	107
JBPN 058CC1/AT16	58	35	96	54	x		16	107
JBPN 058CC1/A-RT16	58	35	96	54		x	16	107
JBPN 070CC1/AT12,7	70	35	102	60	x		12,7	107
JBPN 070CC1/A-RT12,7	70	35	102	60		x	12,7	107
JBPN 070CC1/AT18,7	70	35	102	60	x		18,7	107
JBPN 070CC1/A-RT18,7	70	35	102	60		x	18,7	107
JBPN 070CC1/AT22	70	35	102	60	x		22	107
JBPN 070CC1/A-RT22	70	35	102	60		x	22	107

## Cargo Castors



WITH INTEGRATED TOE-GUARD							A	B
	D mm	mm	H mm	S mm	diamond	rectangular	mm	mm
JBPN 058/2187171	58	35	96	54		x	19	120
JBPN 058CC1/ATLP16	58	35	96	54	x		16	107
JBPN 058CC1/ARTLP16	58	35	96	54		x	16	107
JBPN 070CC1/ATLP22	70	35	102	60	x		22	107
JBPN 070CC1/ARTLP22	70	35	102	60		x	22	107

## Mobra



Mobra mounting bracket with a standard cargo castor and an attached toe-guard.



- Ease of installation and replacement
- Cost-effective construction of the deck, the castor is simply put into a top-deck which on its own requires sufficiently support obviously.
- A precise height adjustment between top and lower deck during construction isn't required.
- Clean deck, debris cannot fall under the deck area. This is highly beneficial in debris intensive environments and perishable handling situations.



			A	H	S	
	D mm	mm	mm	mm	mm	kg
MBPN 058 MOBRA	58	35	12,7	98	54	200
MBPN 070 MOBRA	70	35	18,7	104	60	200



> castors for general GSE-equipment



> castors for hose-support on fuel-trucks



> castors for aircraft docking systems



**Our main catalogue contains more than 200 pages of castor solutions for all your applications.**

**Please feel free to contact us for a hardcopy catalogue or download a copy on our website**



### About

The Colson Group produces worldwide a large range of wheels and castors for many industrial applications. Colson Europe B.V. in Veenendaal, The Netherlands is particularly known for producing top quality Cargo Castors. We also supply wheels and castors for aircraft docking systems, hose-support castors on fuel trucks and many other GSE-equipment.

### Contact

Colson Europe B.V.  
P.O.Box 421  
3900 AK Veenendaal  
The Netherlands  
tel. +31(0)318 53 66 11  
mail: [info@colson-europe.com](mailto:info@colson-europe.com)  
website: [www.colson-europe.com](http://www.colson-europe.com)